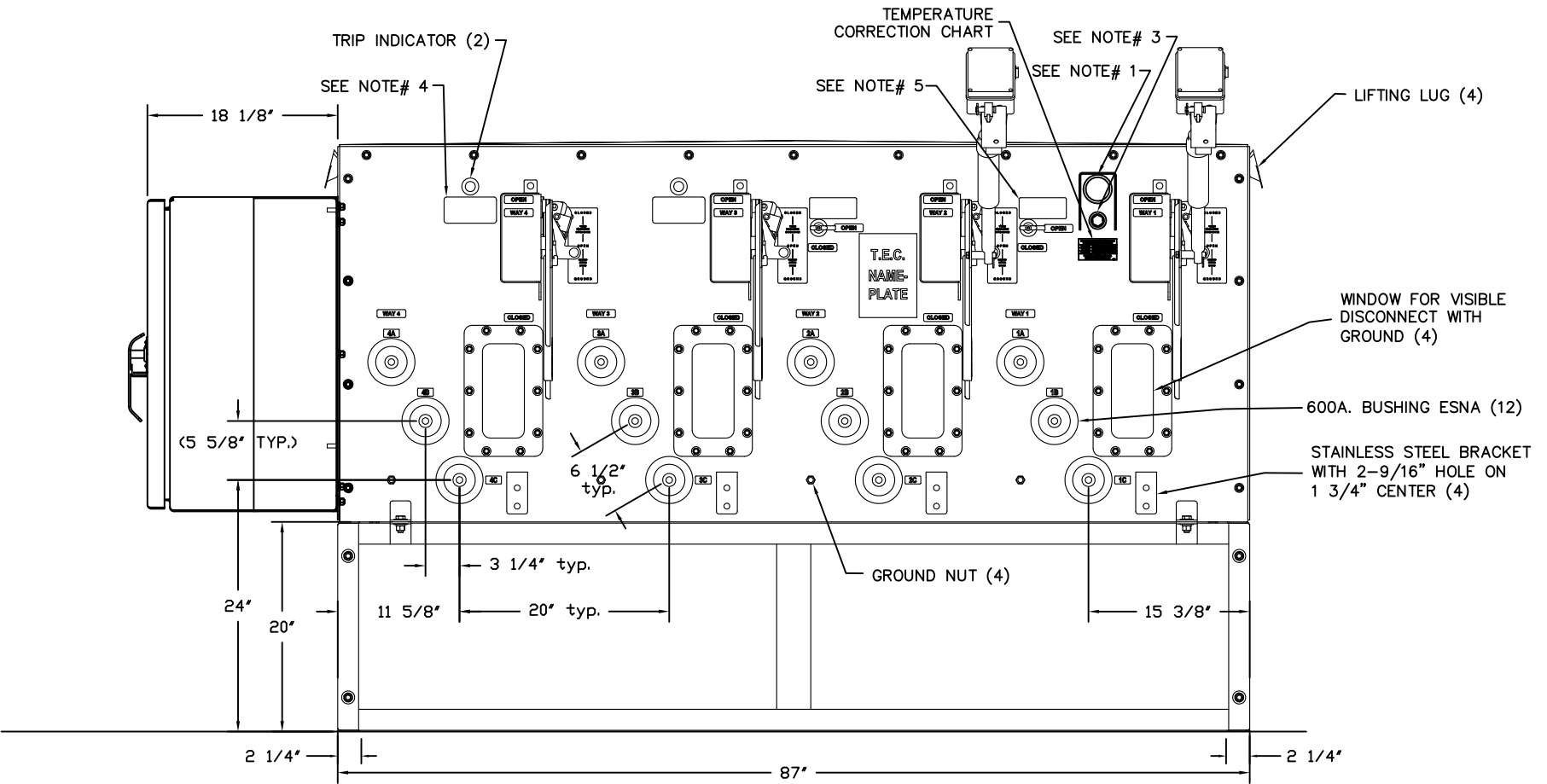
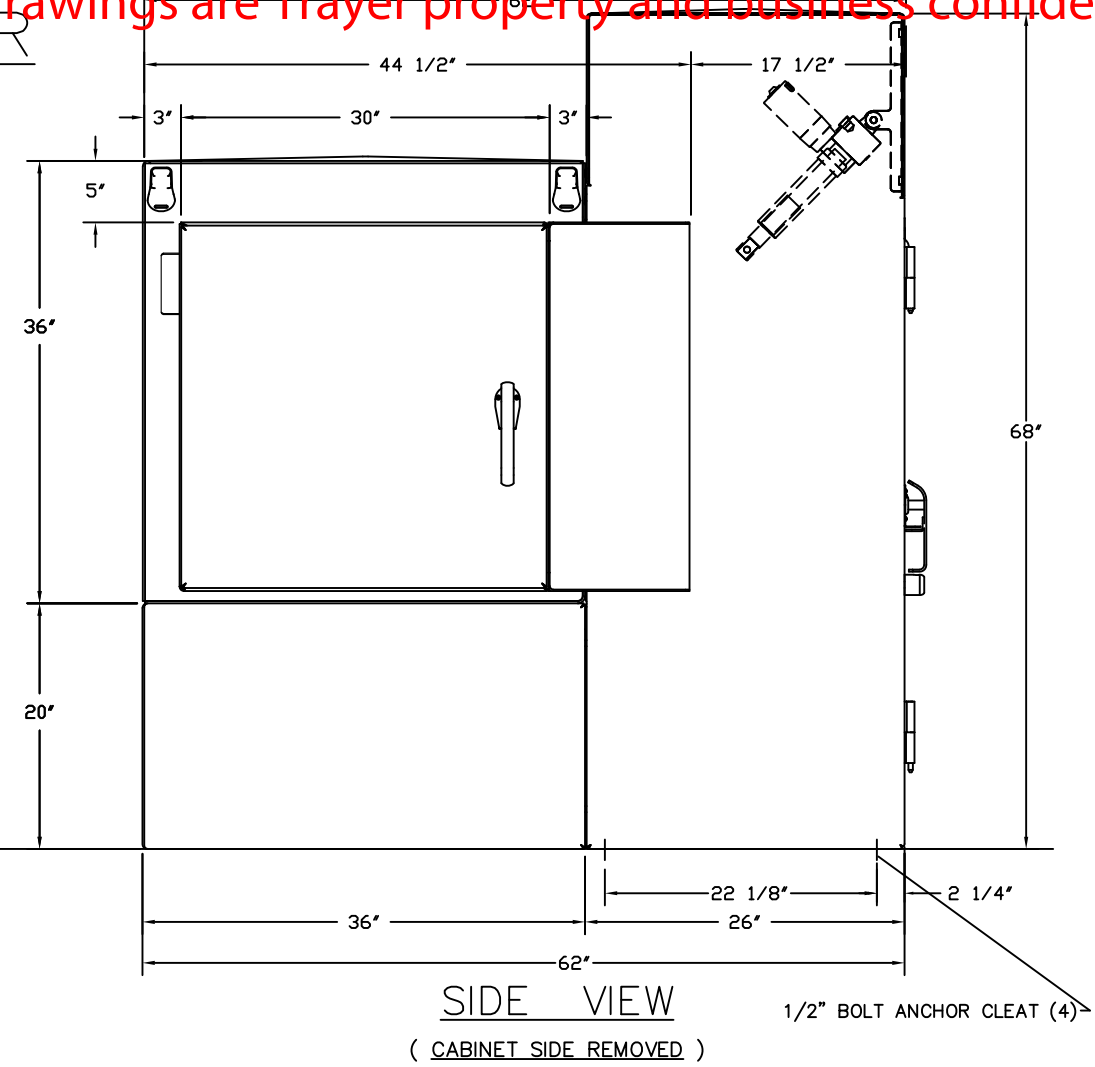
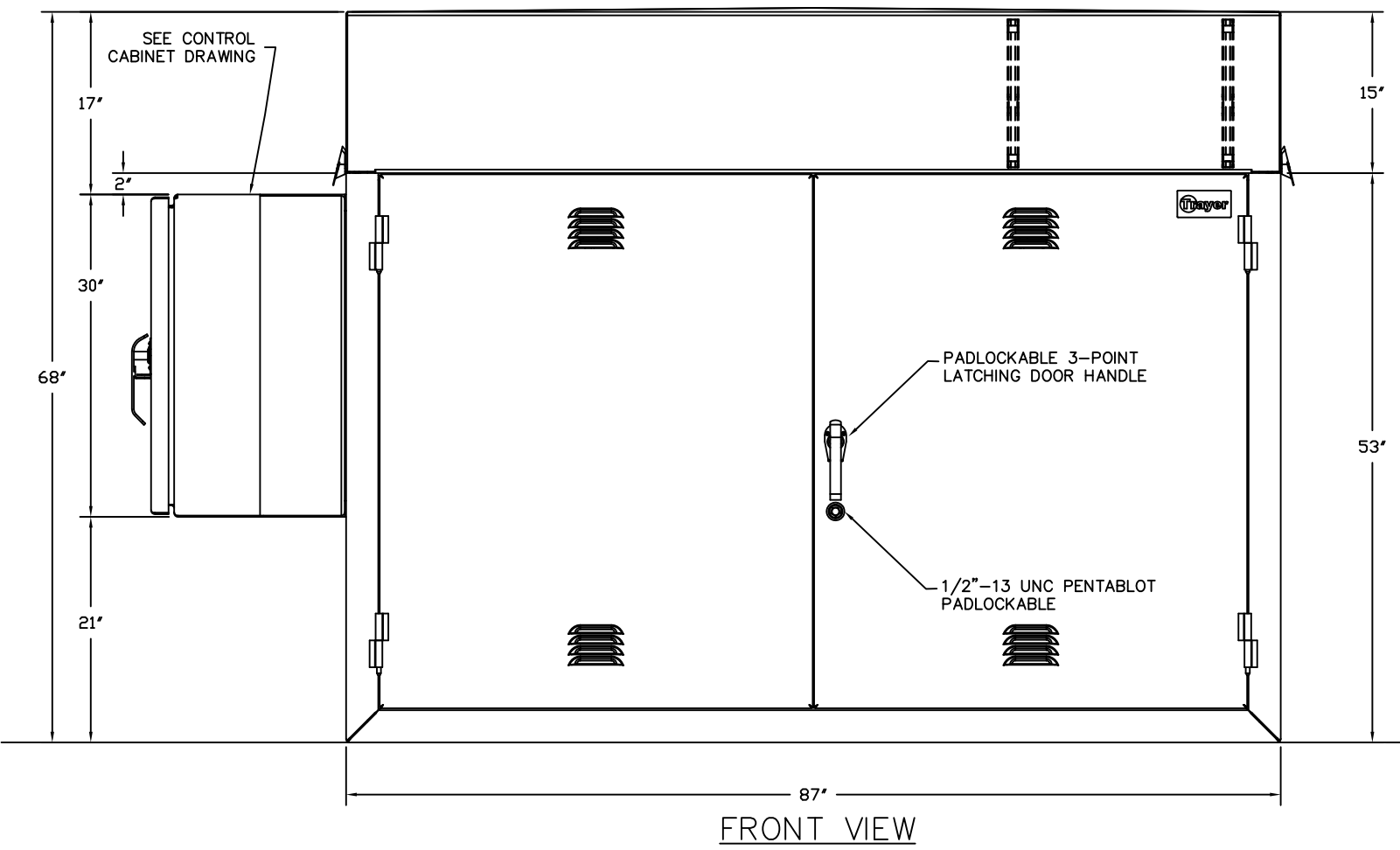
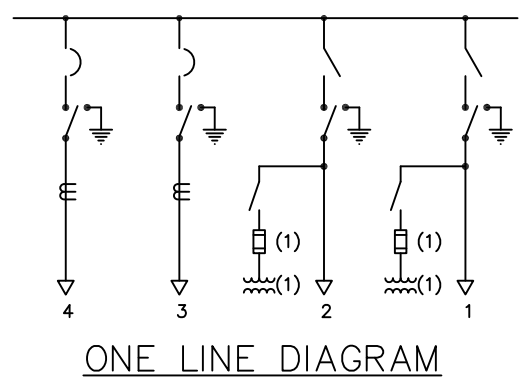


MASTER



- NOTES:
- 0 TO 15 PSIG PRESSURE GAUGE. SEE CHART FOR TEMPERATURE CORRECTION.
  - MATERIAL:  
TANK : 7 GA. STAINLESS STEEL  
BASE & CABINET : 11 GA. STAINLESS STEEL
  - THIS PORT CONTAINS A DILO VALVE WHEN UNIT IS SF6 INSULATED.
  - DECAL READS:  
"BREAKER TRIPPED WHEN YELLOW INDICATOR PROJECTS IN TO THE SIGHT GLASS. TO RESET BREAKER, OPEN AND CLOSE OPERATING HANDLE"
  - DECAL READS:  
"POTENTIAL TRANSFORMER DISCONNECT SWITCH MUST BE IN OPEN POSITION WHEN DOING HIGH POTENTIAL TESTING."
  - UNIT WEIGHT: 2560 LBS.



TRAYER S.O.					TRAYER ENGINEERING CORPORATION 898 PENNSYLVANIA AVENUE SAN FRANCISCO, CALIFORNIA 94107 (415) 285-7770	
CATALOG LETTER INSERT	BUSHING AMPERE				FINISH DK. GREEN ENAMEL	SEE NOTE# 2
	1	2	3	4	MATL.	
A	200	200	200	200	SCALE	1/8" = 1"
B	600	600	200	200	DR. BY	F. LESPAGE
C	600	600	600	600	CK. BY	BAB
D	600	200	200	200	APPVD.	BAB
E	600	600	200	600	DATE	03-09-10
F	600	600	600	200	UNIT TYPE	PADMOUNT
TOLERANCES ± 1/8"					DRAWING NUMBER	100305
					REVISION	C
						06-09-10