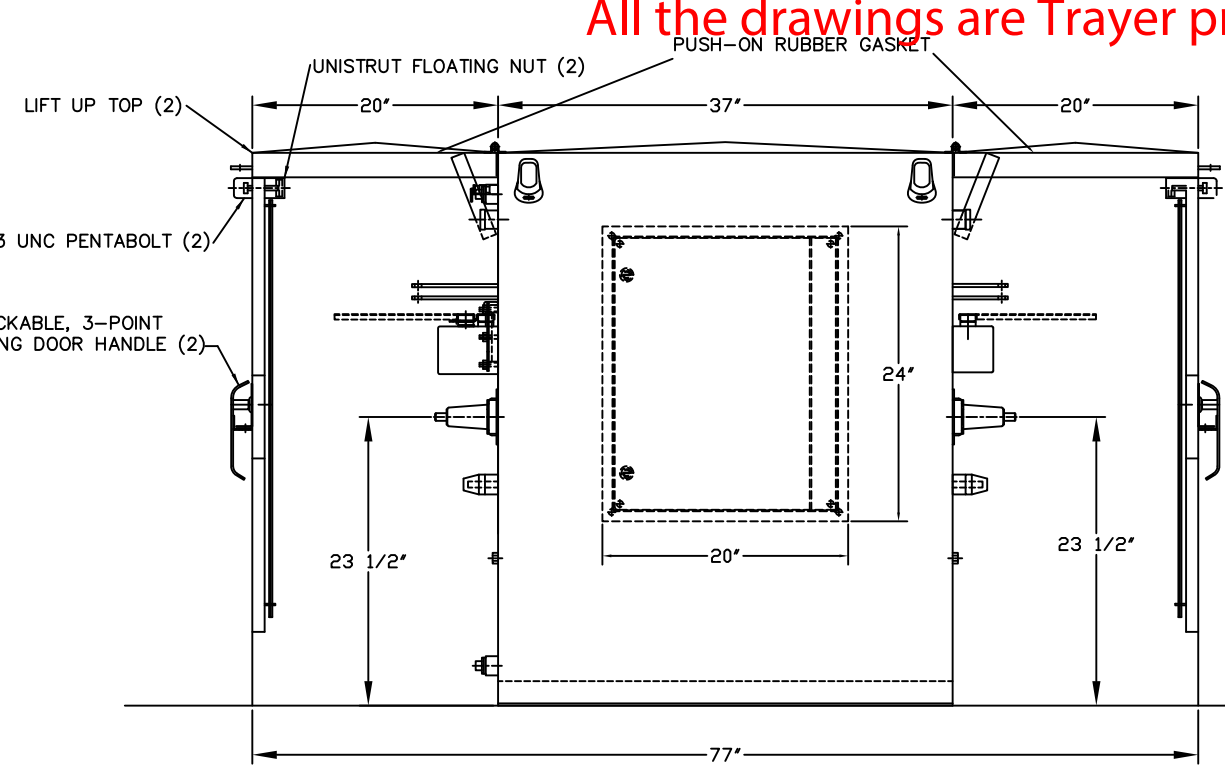
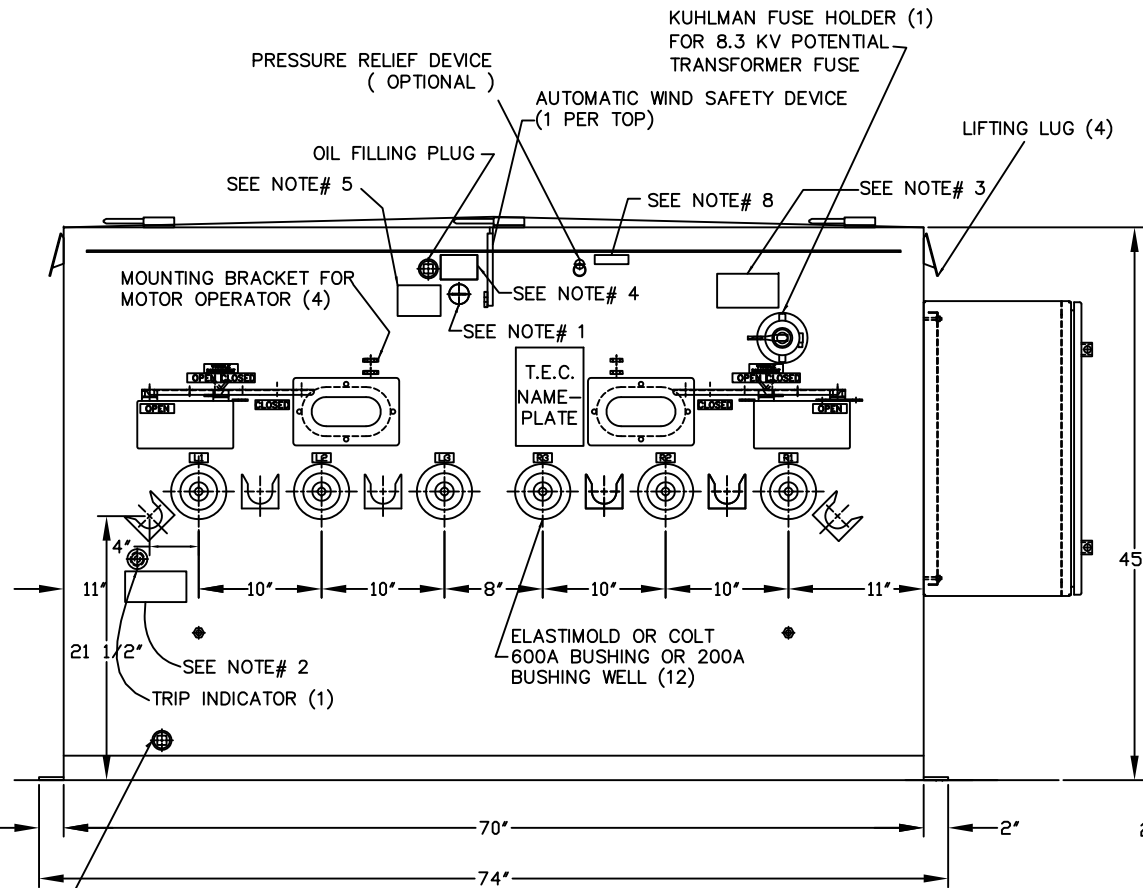


FRONT VIEW (9-CONFIG)
(CABINET REMOVED)

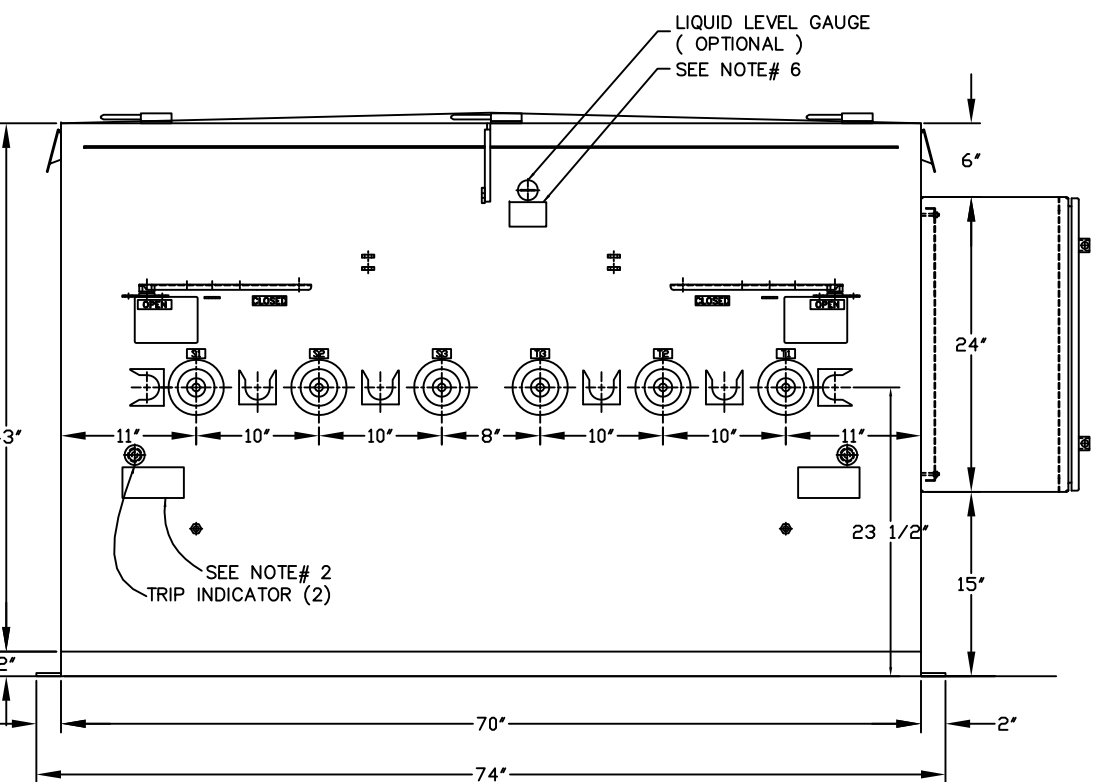


SIDE VIEW
(CABINET SIDES REMOVED)
9-CONFIG: CONTROL CABINET FAR SIDE
12-CONFIG: CONTROL CABINET NEAR SIDE

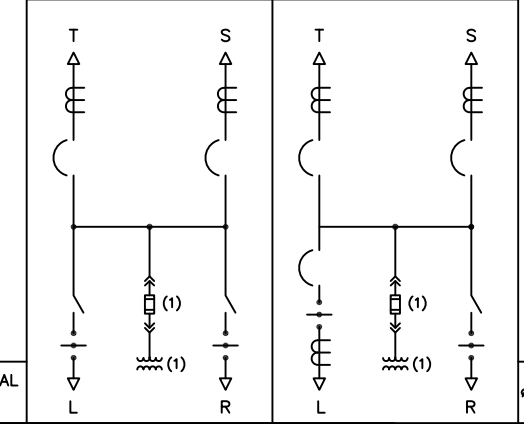
- Notes:
- 1- THE TRAYER CAT.# 901A LIQUID LEVEL GAUGE IS A COMPLETELY STATIC DEVICE THAT ACTUALLY READS "LOW OIL" IF THE OIL DROPS BELOW PROPER LEVEL. IT IS AVAILABLE TO ALL SWITCH AND TRANSFORMER MANUFACTURERS IN ORDER TO PROMOTE INDUSTRY STANDARDIZATION.
 - 2- DECAL READS: "BREAKER TRIPPED WHEN YELLOW INDICATOR PROJECTS IN TO THE SIGHT GLASS. TO RESET BREAKER, OPEN AND CLOSE OPERATING HANDLE"
 - 3- DECAL READS: "WARNING - POTENTIAL TRANSFORMER FUSE ENERGIZED FROM SWITCHGEAR BUS. TO CHANGE FUSE FIRST DE-ENERGIZE BUS."
 - 4- VISIBLE DISCONNECT AND LOAD INTERRUPTER ARE INTERLOCKED SO THAT LOAD INTERRUPTER MUST BE OPEN BEFORE VISIBLE DISCONNECT CAN BE OPERATED.
 - 5- THE LAST TWO OR THREE CHARACTERS OF THE CATALOG NUMBER MUST REPRESENT THE PT RATIO AND MUST BE ADDED AFTER OPTIONAL ITEMS.
 - 6- DECAL READS: LIQUID LEVEL INDICATOR READS "LOW OIL" WHEN OIL IS LOW.
 - 7- DECAL READS: FILLED WITH NON PCB MINERAL OIL [LESS THAN 1 PPM] AT TIME OF MANUFACTURE
 - 8- DECAL READS: PRESSURE RELIEVE DEVICE
 - 9- MATERIAL: OIL TANK : 7 GA. MILD STEEL
CABINET : 11GA. MILD STEEL
LIFT UP TOP : 14 GA. MILD STEEL
 - 10- TANK BOTTOM PAINTED WITH COAL TAR EPOXY ON MILD STEEL UNITS.



FRONT VIEW (12-CONFIG)
(CABINET REMOVED)



REAR VIEW
(CABINET REMOVED)



NOMINAL KV	CAT.#	DESCRIPTION	BIL # TO #, TO GRD & ACROSS OPEN CONTACTS
5	CAT.# 3805__9VD2M34	CAT.# 3805__12VD2M34	75
APPROX. WT.-LBS.	5020	5055	

CATALOG SUFFIX	DESCRIPTION
A	ALPHA-1 FLUID
D	DRAIN VALVE WITH SAMPLER
K	PROVISION FOR KEY INTERLOCK ON SWITCH HANDLE
LL	2 LIQUID LEVEL GAUGES (ONE IS STANDARD)
M	MANUAL & AUTOMATIC PRESSURE RELIEF DEVICE
N	COPPER GROUND BUS
P	OIL DRAIN PLUG
W	304 STAINLESS STEEL TANK
Y	304 STAINLESS STEEL CABINET

CATALOG LETTER INSERT	BUSHING AMPERE			
	L	R	T	S
A	200	200	200	200
B	600	600	200	200
C	600	600	600	600
D	600	200	200	200
E	600	600	200	600

TRAYER S.O.

TRAYER ENGINEERING CORPORATION
898 PENNSYLVANIA AVENUE
SAN FRANCISCO, CALIFORNIA 94107
(415) 285-7770

SCADA - TEC
5 KV LIQUID INSULATED PADMOUNTED VACUUM SWITCHGEAR WITH VISIBLE DISCONNECTS AND VACUUM FAULT INTERRUPTER WITH VISIBLE DISCONNECTS

FINISH: DARK GREEN
MATERIAL: SEE NOTE# 9
SCALE: 1/8" = 1"
DR. BY: R.KOWDLEY
CK. BY: BQB
APPVD: BQB
DATE: 07-18-07
UNIT TYPE: PADMOUNT

DRAWING NUMBER: 070706
REVISION: C
11-05-07

TOLERANCES ± 1/8"