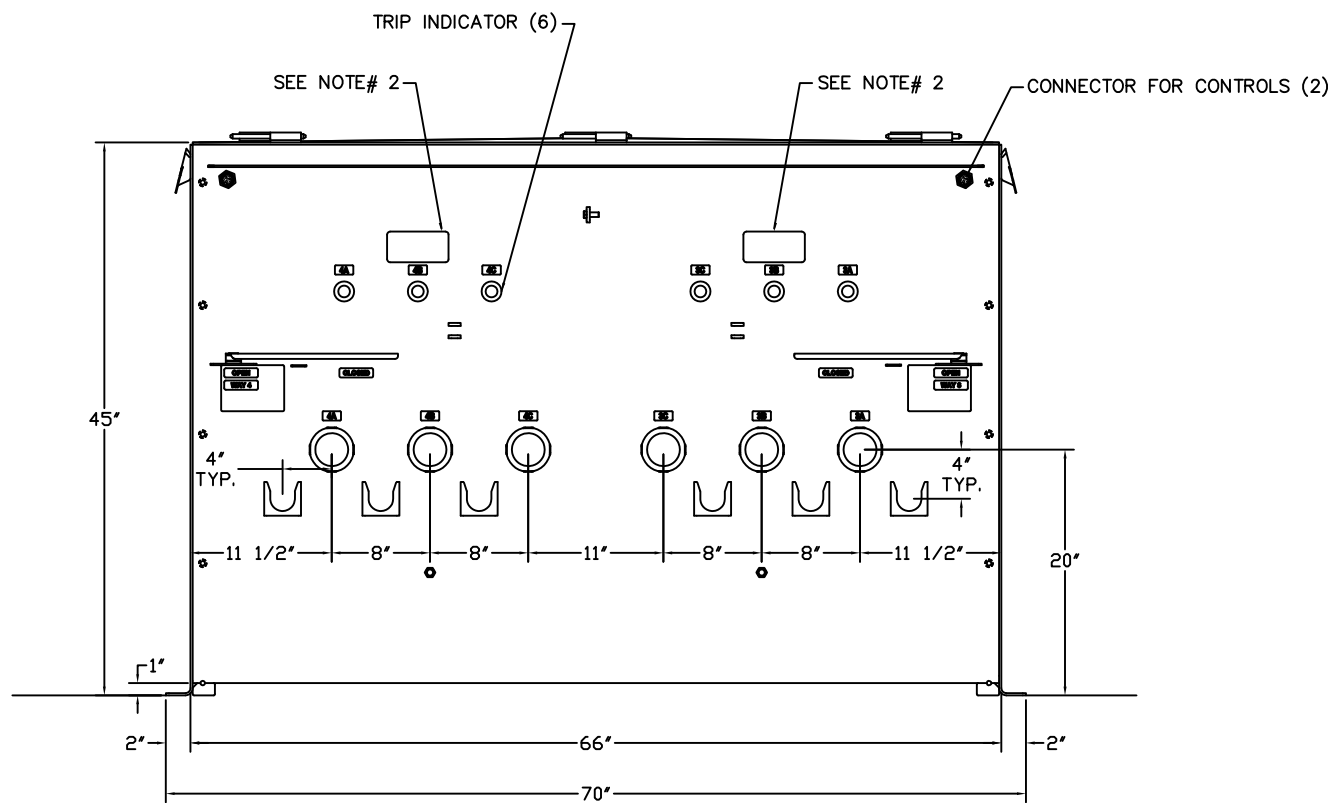
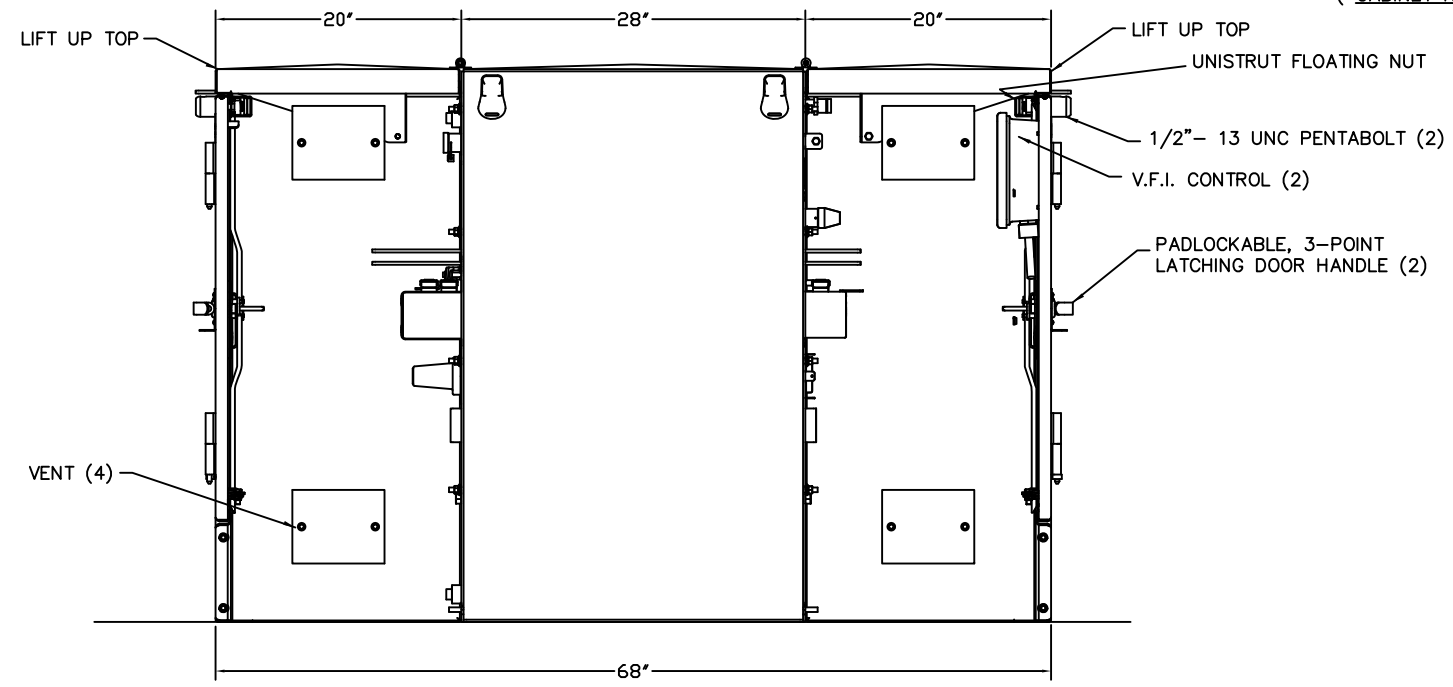


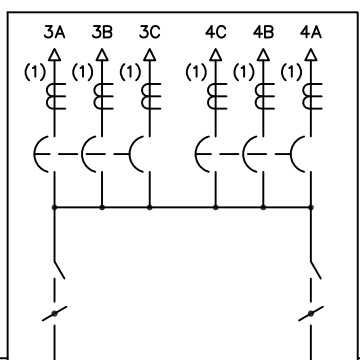
FRONT VIEW
(CABINET REMOVED)



REAR VIEW
(CABINET REMOVED)



SIDE VIEW
(CABINET SIDES REMOVED)



NOMINAL KV	1	BIL Ø TO Ø & Ø TO GRD	95	BIL RATING OF CONTACT	95
APPROX. WT.-LBS.	3730	CAT.# 4805__9VD2M101			

NOTES:

- 1- THE TRAYER CAT.# 901A LIQUID LEVEL GAUGE IS A COMPLETELY STATIC DEVICE THAT ACTUALLY READS "LOW OIL" IF THE OIL DROPS BELOW PROPER LEVEL IT IS AVAILABLE TO ALL SWITCH AND TRANSFORMER MANUFACTURERS IN ORDER TO PROMOTE INDUSTRY STANDARDIZATION.
- 2- DECAL READS:
"BREAKER TRIPPED WHEN YELLOW INDICATOR PROJECTS IN TO THE SIGHT GLASS. TO RESET BREAKER, OPEN AND CLOSE OPERATING HANDLE"

- 3- DECAL READS:
LIQUID LEVEL INDICATOR READS "LOW OIL" WHEN OIL IS LOW.
- 4- DECAL READS:
FILLED WITH NON PCB MINERAL OIL [LESS THAN 1 PPM] AT TIME OF MANUFACTURE
- 5- TANK BOTTOM PAINTED WITH COAL TAR EPOXY ON MILD STEEL UNITS.

- 6- MATERIAL:
OIL TANK : 7 GA. MILD STEEL
CABINET : 11GA. MILD STEEL
LIFT UP TOP : 14 GA. MILD STEEL

OPTIONAL ADDITIONS WITH CATALOG NUMBER SUFFIXES	
CATALOG SUFFIX	DESCRIPTION
A	ALPHA-1 FLUID
D	DRAIN VALVE WITH SAMPLER
K	PROVISION FOR KEY INTERLOCK ON SWITCH HANDLE
N	COPPER GROUND BUS
P	OIL DRAIN PLUG
T	CABINET SHORTER OR LONGER THAN STANDARD
W	304 STAINLESS STEEL TANK
Y	304 STAINLESS STEEL TOP

TRAYER S.O.

CATALOG LETTER INSERT	BUSHING AMPERE			
	1	2	3	4
A	200	200	200	200
B	600	600	200	200
C	600	600	600	600
D	600	200	200	200
E	600	600	200	600

FINISH: DARK GREEN
MATERIAL: SEE NOTE# 6
SCALE: 1/8" = 1"
DR. BY: F. LESPAGE
CHK. BY: BJB
APPVD: BJB
DATE: 12-10-09
UNIT TYPE: PADMOUNT

TRAYER ENGINEERING CORPORATION
898 PENNSYLVANIA AVENUE
SAN FRANCISCO, CALIFORNIA 94107
(415) 285-7770
SCADA - TEC
15 KV PADMOUNTED VACUUM SWITCHGEAR WITH 6-1Ø VACUUM FAULT INTERRUPTERS GANGED AND TWO VFI CONTROL

TOLERANCES ± 1/8"

DRAWING NUMBER	REVISION
091210	A