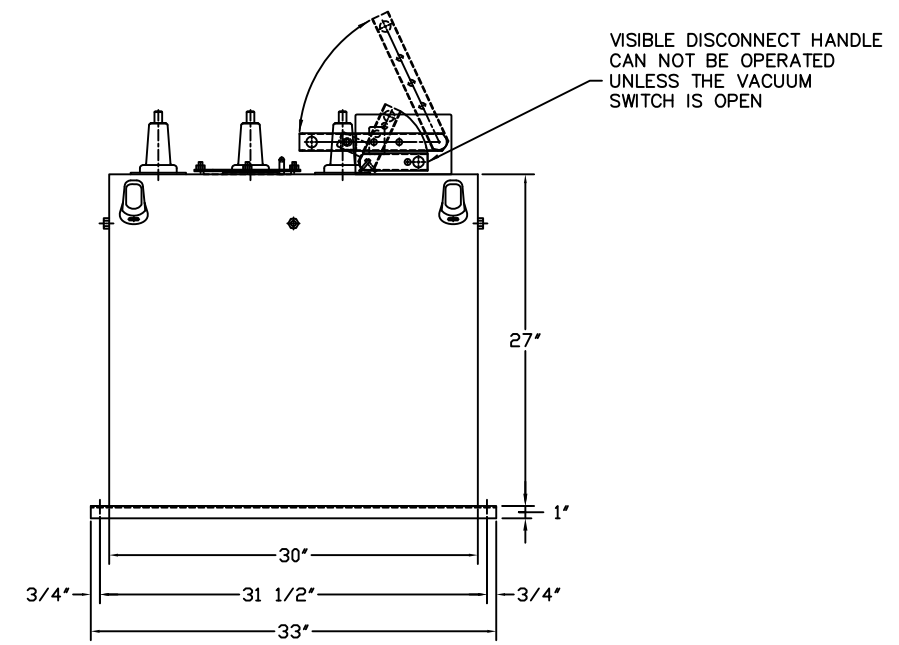
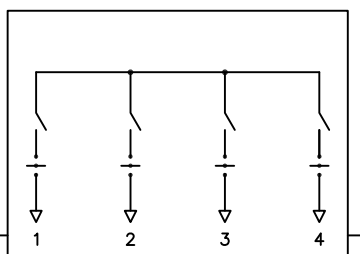


FRONT VIEW



VIEW A-A

- NOTES:
- 1- THE TRAYER CAT.# 901A LIQUID LEVEL GAUGE IS A COMPLETELY STATIC DEVICE THAT ACTUALLY READS "LOW OIL" IF THE OIL DROPS BELOW PROPER LEVEL. IT IS AVAILABLE TO ALL SWITCH AND TRANSFORMER MANUFACTURERS IN ORDER TO PROMOTE INDUSTRY STANDARDIZATION.
 - 2- DECAL READS:
 FILLED WITH NON PCB MINERAL OIL [LESS THAN 1 PPM] AT TIME OF MANUFACTURE
 - 3- MATERIAL:
 OIL TANK : 7 GA. STAINLESS STEEL



NOMINAL KV	15	CAT.# 104_VD4M1	BIL Ø TO Ø & Ø TO GRD	125	BIL RATING OF CONTACT	95
APPROX. WT.-LBS.	2800					

TRAYER S.O.

CATALOG LETTER INSERT	BUSHING AMPERE				FINISH	NATURAL	TRAYER ENGINEERING CORPORATION 898 PENNSYLVANIA AVENUE SAN FRANCISCO, CALIFORNIA 94107 (415) 285-7770			
	1	2	3	4	MATL	SEE NOTE# 3				
	A	200	200	200	200	SCALE		1/8" = 1"		
	B	600	200	200	600	DR. BY		S. I. DAZA		
	C	600	600	600	600	CK. BY		BAB		
D	600	200	200	200	APPVD.	BAB	4 WAY LIQUID INSULATED PADMOUNTED VACUUM SWITCHGEAR WITH TRI PHASE VISIBLE DISCONNECTS. TRAYER CAT.#104_VD4M1			
E	600	600	200	600	DATE	08-07-09				
TOLERANCES ± 1/8"					UNIT TYPE	SUBMERSIBLE	DRAWING NUMBER	090808	REVISION	B
										09-03-09