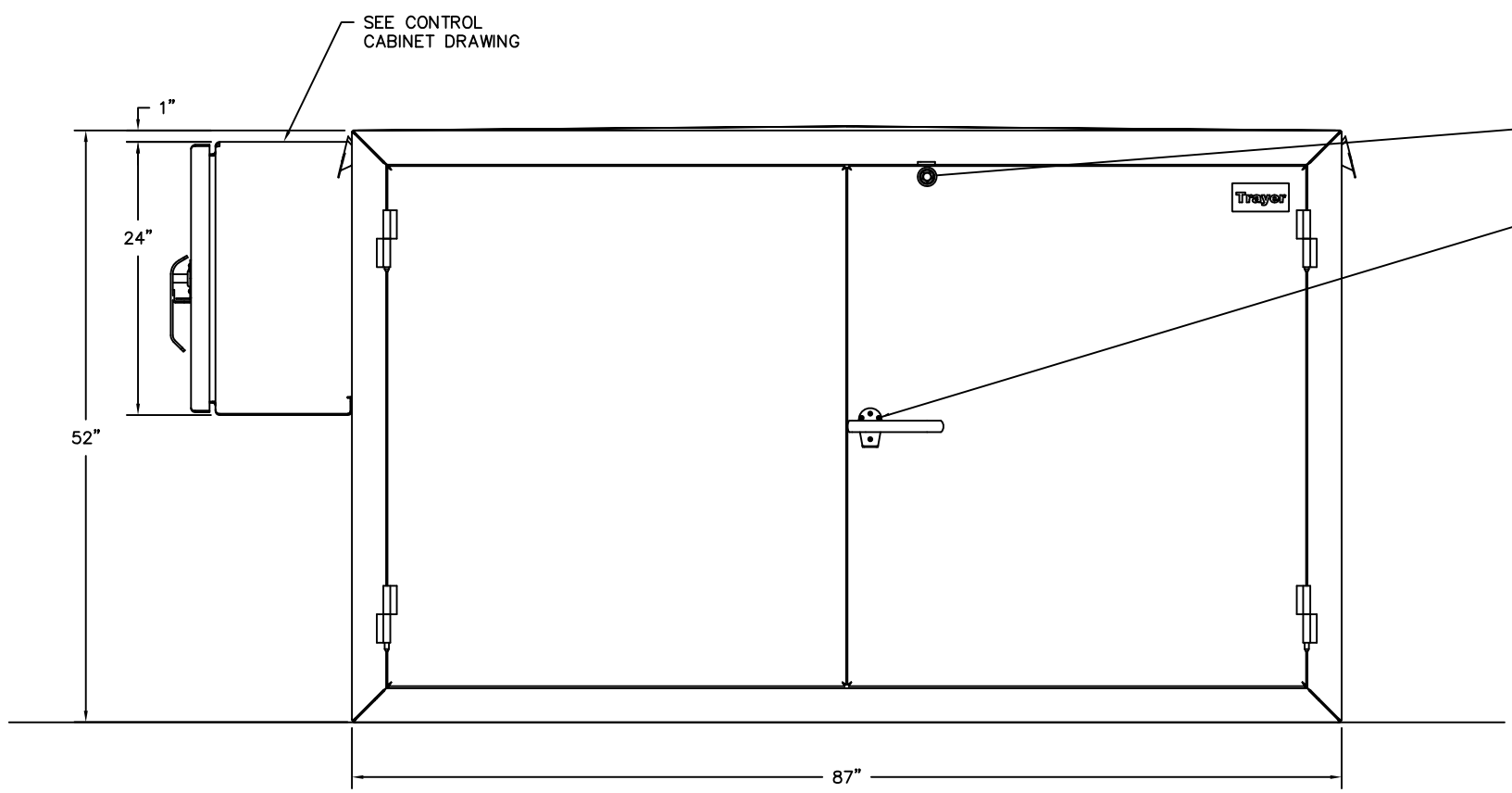
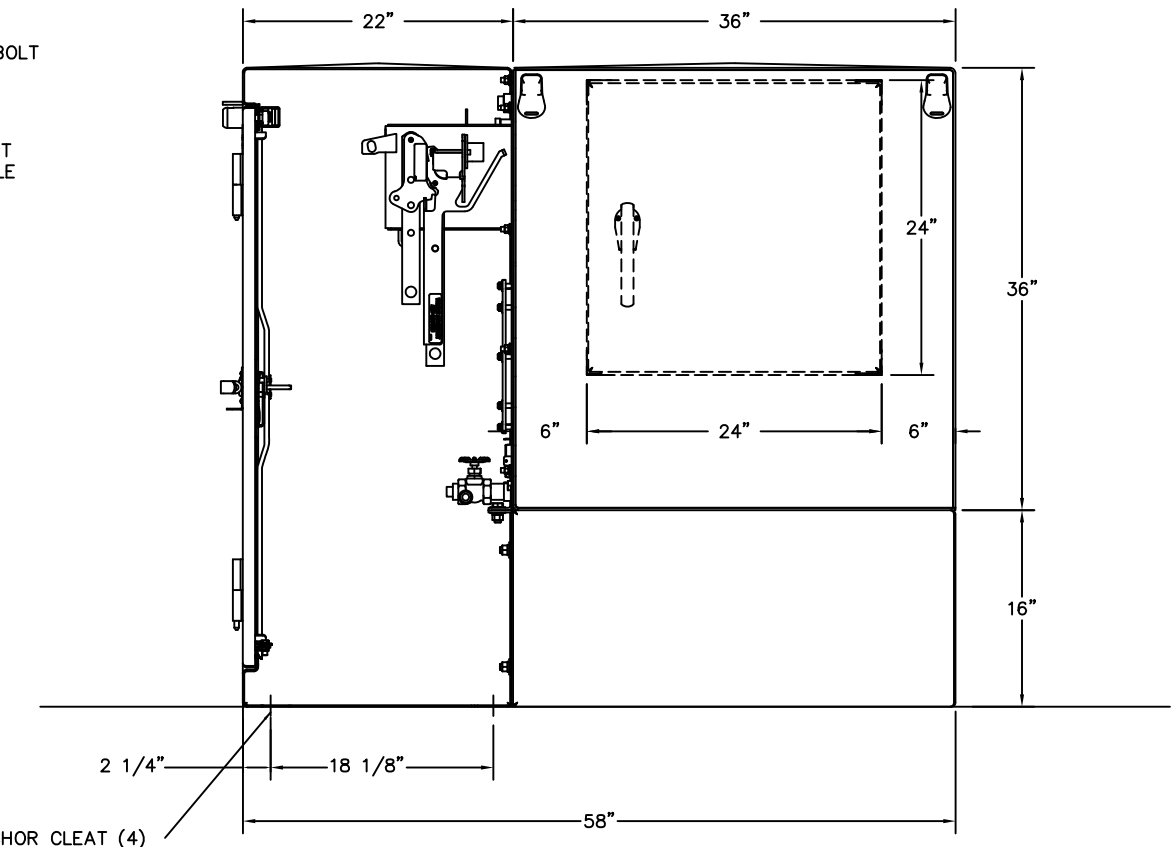


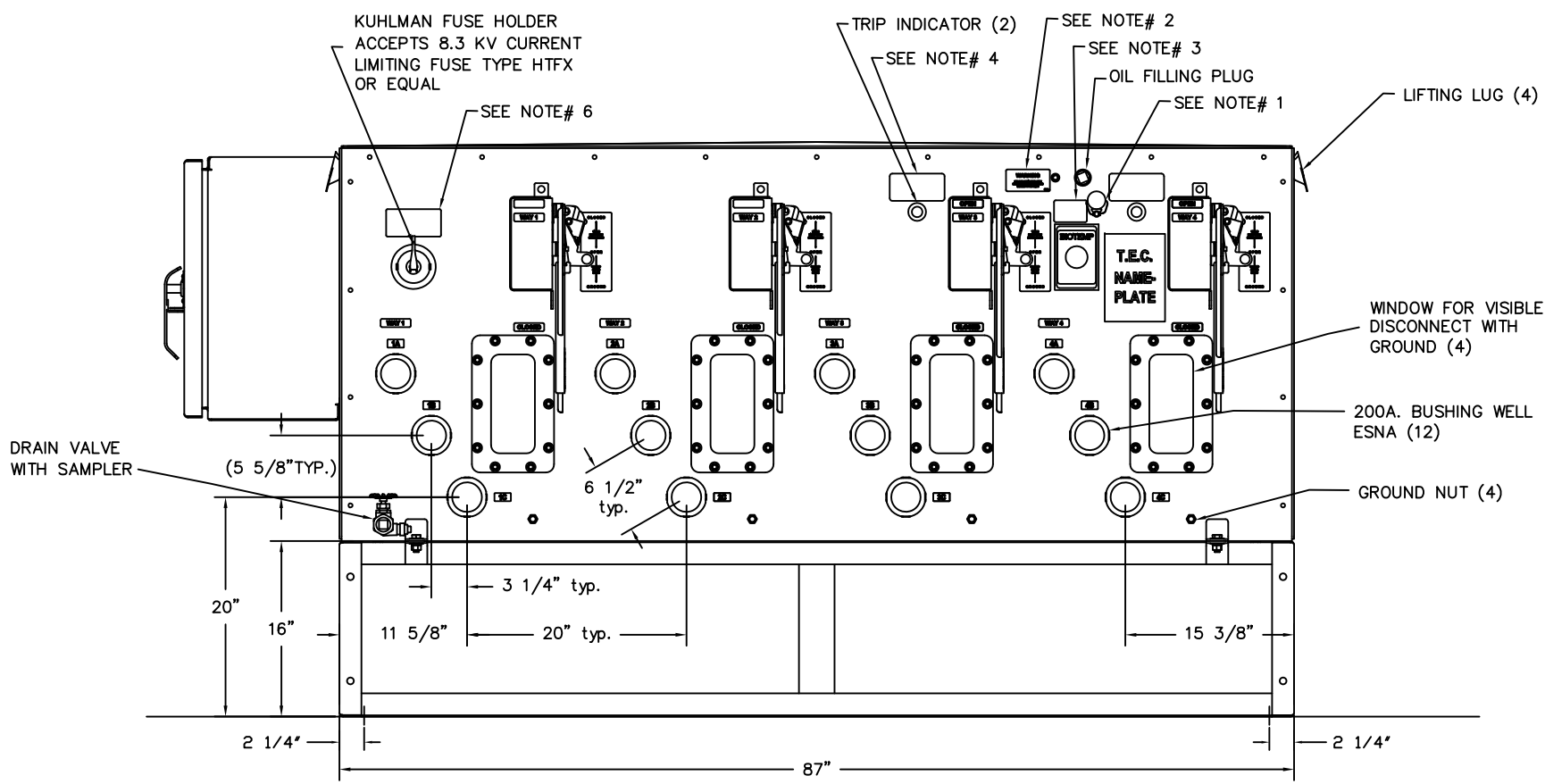
All the drawings are Trayer property and business confidential.



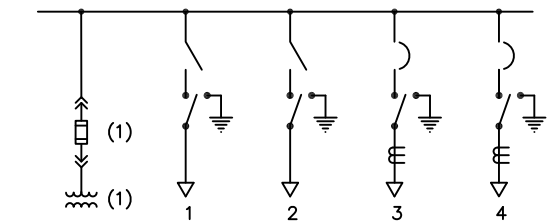
FRONT VIEW



SIDE VIEW
(CABINET SIDE REMOVED)



FRONT VIEW
(CABINET FRONT AND DOORS REMOVED)



ONE LINE DIAGRAM

NOTES:

- 1- THE TRAYER CAT.# 901A LIQUID LEVEL GAUGE IS A COMPLETELY STATIC DEVICE THAT ACTUALLY READS "LOW OIL" IF THE OIL DROPS BELOW PROPER LEVEL. IT IS AVAILABLE TO ALL SWITCH AND TRANSFORMER MANUFACTURERS IN ORDER TO PROMOTE INDUSTRY STANDARDIZATION.
- 2- DECAL READS:
WARNING
THIS DIELECTRIC FLUID MUST REMAIN UNDER A DRY NITROGEN BLANKET AT ALL TIMES
- 3- DECAL READS:
LIQUID LEVEL INDICATOR READS "LOW OIL" WHEN OIL IS LOW.

4- DECAL READS:

"BREAKER TRIPPED WHEN YELLOW INDICATOR PROJECTS IN TO THE SIGHT GLASS. TO RESET BREAKER, OPEN AND CLOSE OPERATING HANDLE"

5- MATERIAL:

OIL TANK : 7 GA. STAINLESS STEEL
CABINET & BASE : 11 GA. STAINLESS STEEL

6- DECAL READS:

"WARNING - POTENTIAL TRANSFORMER FUSE ENERGIZED FROM SWITCHGEAR BUS. TO CHANGE FUSE FIRST DE-ENERGIZE BUS."

7- UNIT WEIGHT: 4890 LBS.

TRAYER S.O.

| | | | | | | |
|-----------------------|----------------|-----|-----|-----|-----------------------|---|
| CATALOG LETTER INSERT | BUSHING AMPERE | | | | FINISH | TRAYER ENGINEERING CORPORATION |
| | 1 | 2 | 3 | 4 | DARK GREEN | 898 PENNSYLVANIA AVENUE SAN FRANCISCO, CALIFORNIA 94107 (415) 285-7770 |
| | A | 200 | 200 | 200 | 200 | TRAYER SINGLE SIDE ACCESS 15 KV PADMOUNTED BIO TEMP INSULATED VACUUM SWITCHGEAR ASSEMBLY CAT.#3800_9VDG4M9WY-BIO |
| | B | 600 | 600 | 200 | 200 | |
| | C | 600 | 600 | 600 | 600 | |
| D | 600 | 200 | 200 | 200 | | |
| E | 600 | 600 | 200 | 600 | SCALE 1/8" = 1" | DRAWING NUMBER 091228 |
| | | | | | DR. BY F. LESPAGE | REVISION A |
| | | | | | CK. BY <i>BAB</i> | |
| | | | | | APPVD. <i>BAB</i> | |
| | | | | | DATE 01-05-10 | |
| | | | | | UNIT TYPE PADMOUNT | |
| TOLERANCES ± 1/8" | | | | | | |