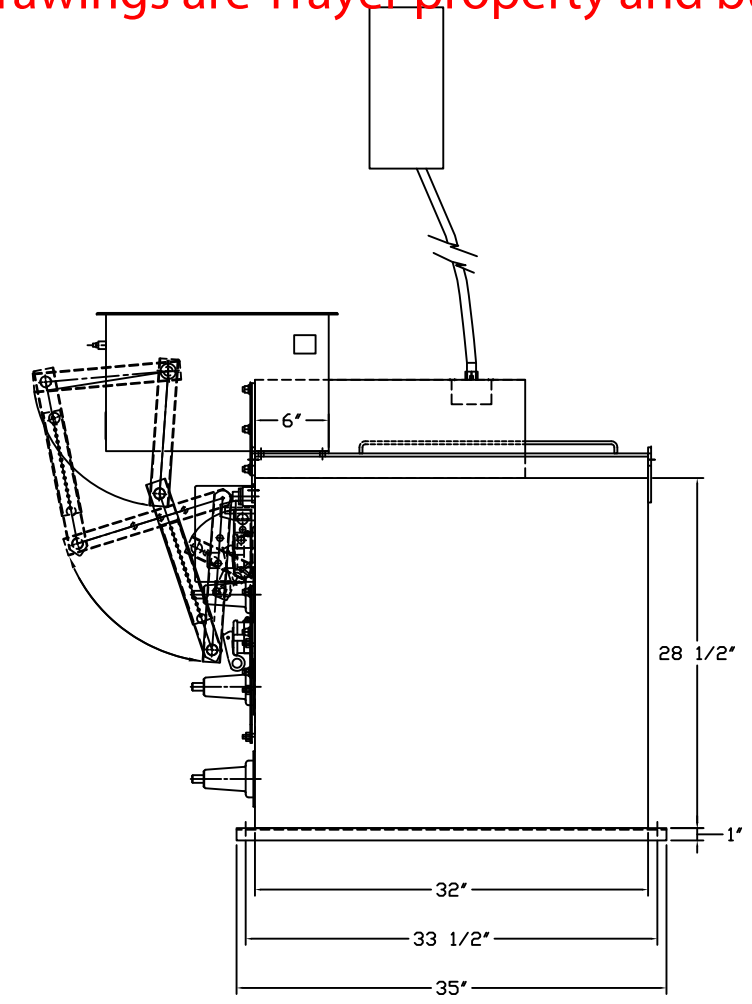
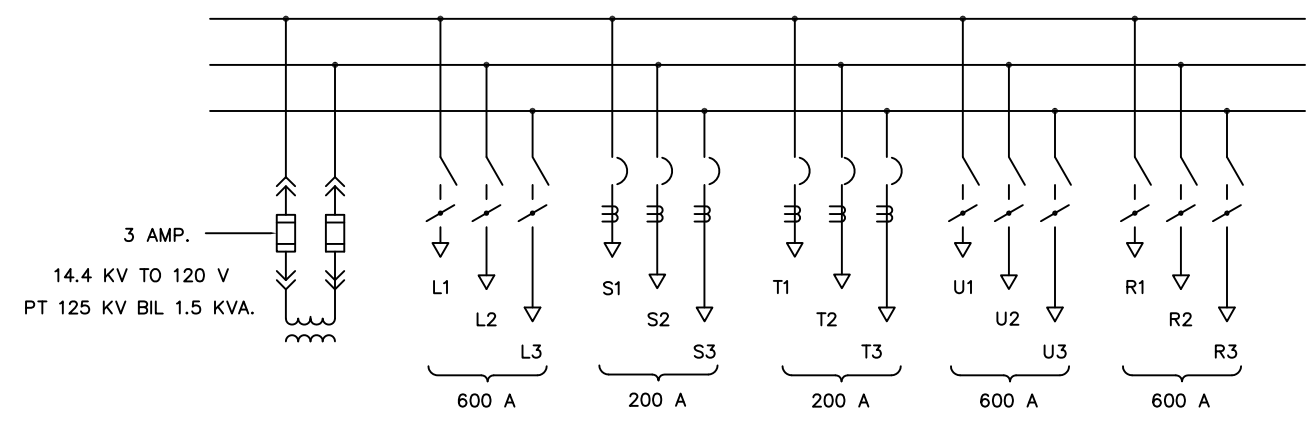


FRONT VIEW



SIDE VIEW



THREE LINE DIAGRAM

- NOTES:
- THE TRAYER CAT.# 901A LIQUID LEVEL GAUGE IS A COMPLETELY STATIC DEVICE THAT ACTUALLY READS "LOW OIL" IF THE OIL DROPS BELOW PROPER LEVEL. IT IS AVAILABLE TO ALL SWITCH AND TRANSFORMER MANUFACTURERS IN ORDER TO PROMOTE INDUSTRY STANDARDIZATION.
 - NAMEPLATE READS:
"BREAKER TRIPPED WHEN YELLOW INDICATOR PROJECTS IN TO THE SIGHT GLASS. TO RESET BREAKER, OPEN AND CLOSE OPERATING HANDLE"
 - NAMEPLATE READS:
"WARNING - POTENTIAL TRANSFORMER FUSE ENERGIZED FROM SWITCHGEAR BUS. TO CHANGE FUSE FIRST DE-ENERGIZE BUS."
 - MATERIAL:
OIL TANK : 7 GA. STAINLESS STEEL
 - DECAL READS:
FILLED WITH NON PCB MINERAL OIL [LESS THAN 1 PPM] AT TIME OF MANUFACTURE

TOLERANCES ± 1/8"

TRAYER S.O.		TRAYER ENGINEERING CORPORATION	
FINISH: NATURAL		898 PENNSYLVANIA AVENUE	
MATL: SEE NOTE# 4		SAN FRANCISCO, CALIFORNIA 94107	
SCALE: 1/8" = 1"		(415) 285-7770	
DR. BY: S. I. DAZA		TRAYER 25 KV SUBMERSIBLE	
CK. BY: BAB		SELF-CONTAINED LIQUID INSULATED	
APPVD: BAB		VACUUM SWITCHGEAR ASSEMBLY	
DATE: 08-28-03		CAT.#3112-3FVD3M2	
UNIT TYPE: SUBMERSIBLE		DRAWING NUMBER: 030828	REVISION: D
			02-02-05