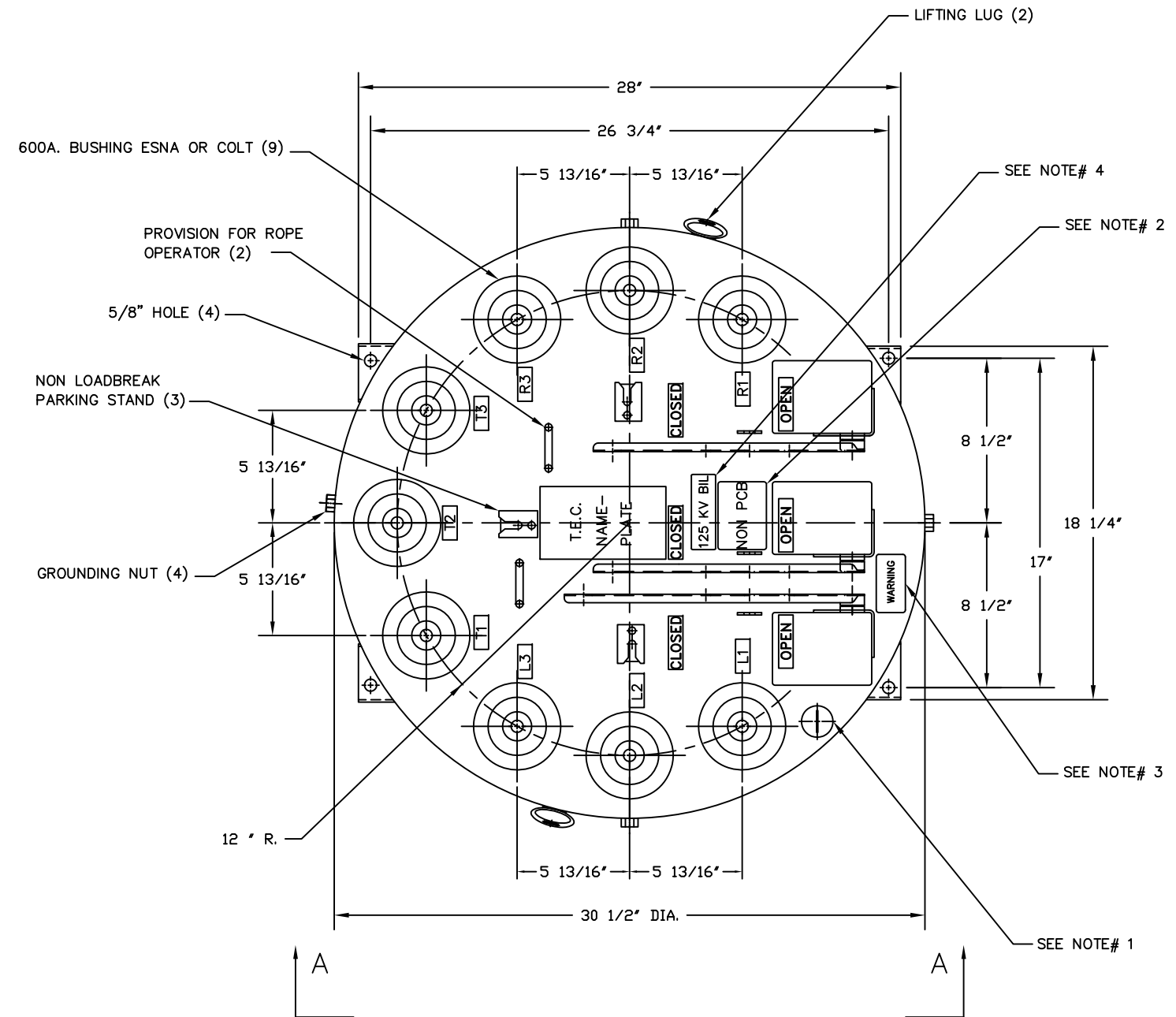
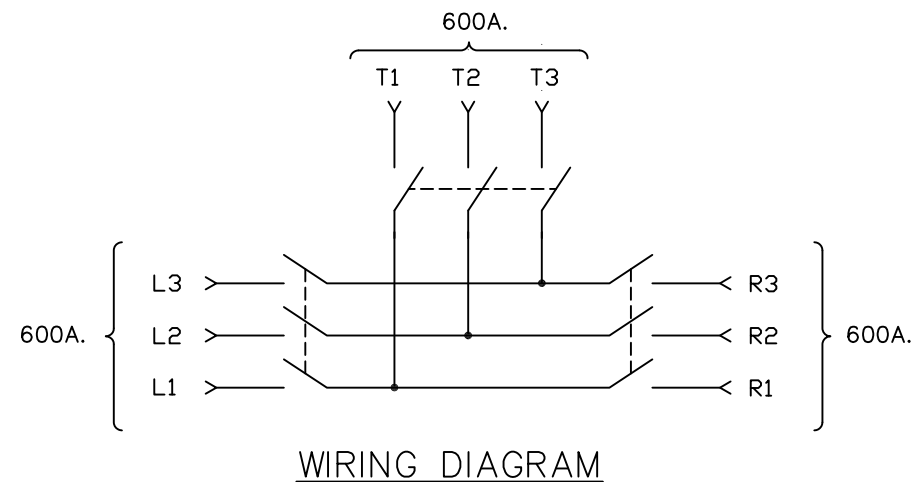


VIEW A-A



PLAN VIEW



WIRING DIAGRAM

NOTES:

1- THE TRAYER CAT.# 901A LIQUID LEVEL GAUGE IS A COMPLETELY STATIC DEVICE THAT ACTUALLY READS "LOW OIL" IF THE OIL DROPS BELOW PROPER LEVEL. IT IS AVAILABLE TO ALL SWITCH AND TRANSFORMER MANUFACTURERS IN ORDER TO PROMOTE INDUSTRY STANDARDIZATION.

2- DECAL READS:  
FILLED WITH NON PCB MINERAL OIL [LESS THAN 1 PPM] AT TIME OF MANUFACTURE

3- DECAL READS:  
WARNING  
WHEN SWITCH SIDE MOUNTED (BUSHINGS NOT ON TOP) LIQUID LEVEL GAUGE MUST BE NEAR TOP FOR OIL TO COVER BUSHINGS.

4- DECAL READS:  
125 KV BIL  
5- WEIGHT OF SWITCH : 810 LB

TOLERANCES ± 1/8"

TRAYER S.O.

FINISH NATURAL	TRAYER ENGINEERING CORPORATION	
MATL # 304 STN. STL	898 PENNSYLVANIA AVENUE SAN FRANCISCO, CALIFORNIA 94107 (415) 285-7770	
SCALE 1/4" = 1"	25 KV TRAYER CAT.#113QM1 SUBMERSIBLE VACUUM SWITCH	
DR. BY S. I. DAZA		
CK. BY BAB		
APPVD. BAB		
DATE 11-24-98		
UNIT TYPE SUBMERSIBLE	DRAWING NUMBER 850913	REVISION E 03-02-10