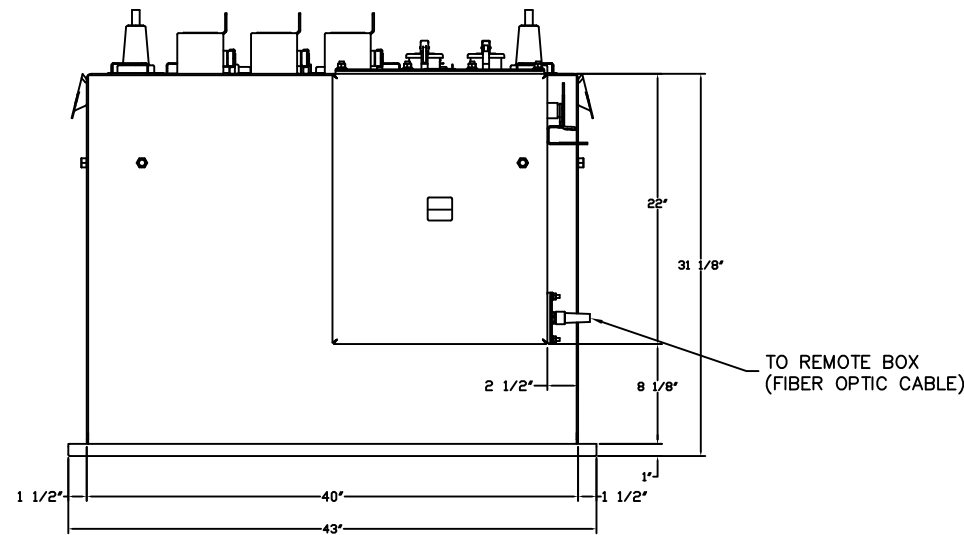
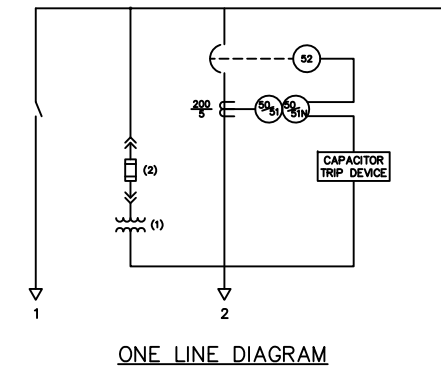
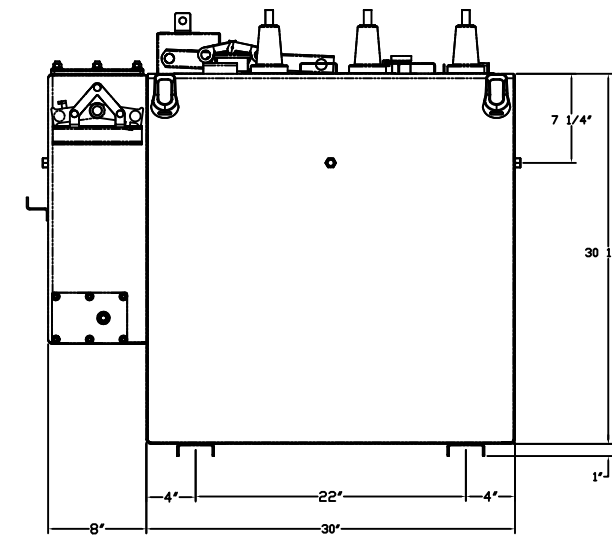


PLAN VIEW



SIDE VIEW



VIEW A-A

NOTES:

- 1- THE TRAYER CAT.# 901A LIQUID LEVEL GAUGE IS A COMPLETELY STATIC DEVICE THAT ACTUALLY READS "LOW OIL" IF THE OIL DROPS BELOW PROPER LEVEL IT IS AVAILABLE TO ALL SWITCH AND TRANSFORMER MANUFACTURERS IN ORDER TO PROMOTE INDUSTRY STANDARDIZATION.
- 2- NAMEPLATE READS:
 "BREAKER TRIPPED WHEN YELLOW INDICATOR PROJECTS IN TO THE SIGHT GLASS. TO RESET BREAKER, OPEN AND CLOSE OPERATING HANDLE"
- 3- NAMEPLATE READS:
 "ACCESS TO OVERCURRENT RELAY"

- 4- NAMEPLATE READS:
 "WARNING - POTENTIAL TRANSFORMER FUSE ENERGIZED FROM SWITCHGEAR BUS. TO CHANGE FUSE FIRST DE-ENERGIZE BUS."
- 5- NAMEPLATE READS:
 "RELAY"
 "CUT IN"
 "GROUND RELAY"
 "CUT OUT"
 "RELAY"
 "CUT OUT"

TOLERANCES ± 1/8"

TRAYER S.O.

FINISH NATURAL	TRAYER ENGINEERING CORPORATION	
MATL. #304 STN. STL.	898 PENNSYLVANIA AVENUE SAN FRANCISCO, CALIFORNIA 94107 (415) 285-7770	
SCALE 1/8" = 1"	TRAYER CAT.# 3111-2BM8	
DR. BY F. LESPADE	SELF CONTAINED SUBMERSIBLE CIRCUIT BREAKER & SWITCH ASSEMBLY WITH 1-3Ø AND RESIDUAL OVERCURRENT RELAY, CAPACITOR TRIP, AND POTENTIAL TRANSFORMER WITH TWO FUSES	
CK. BY BQB	DRAWING NUMBER	REVISION
APPVD. BQB	081104	A
DATE 01-09-09		
UNIT TYPE SUBMERSIBLE		