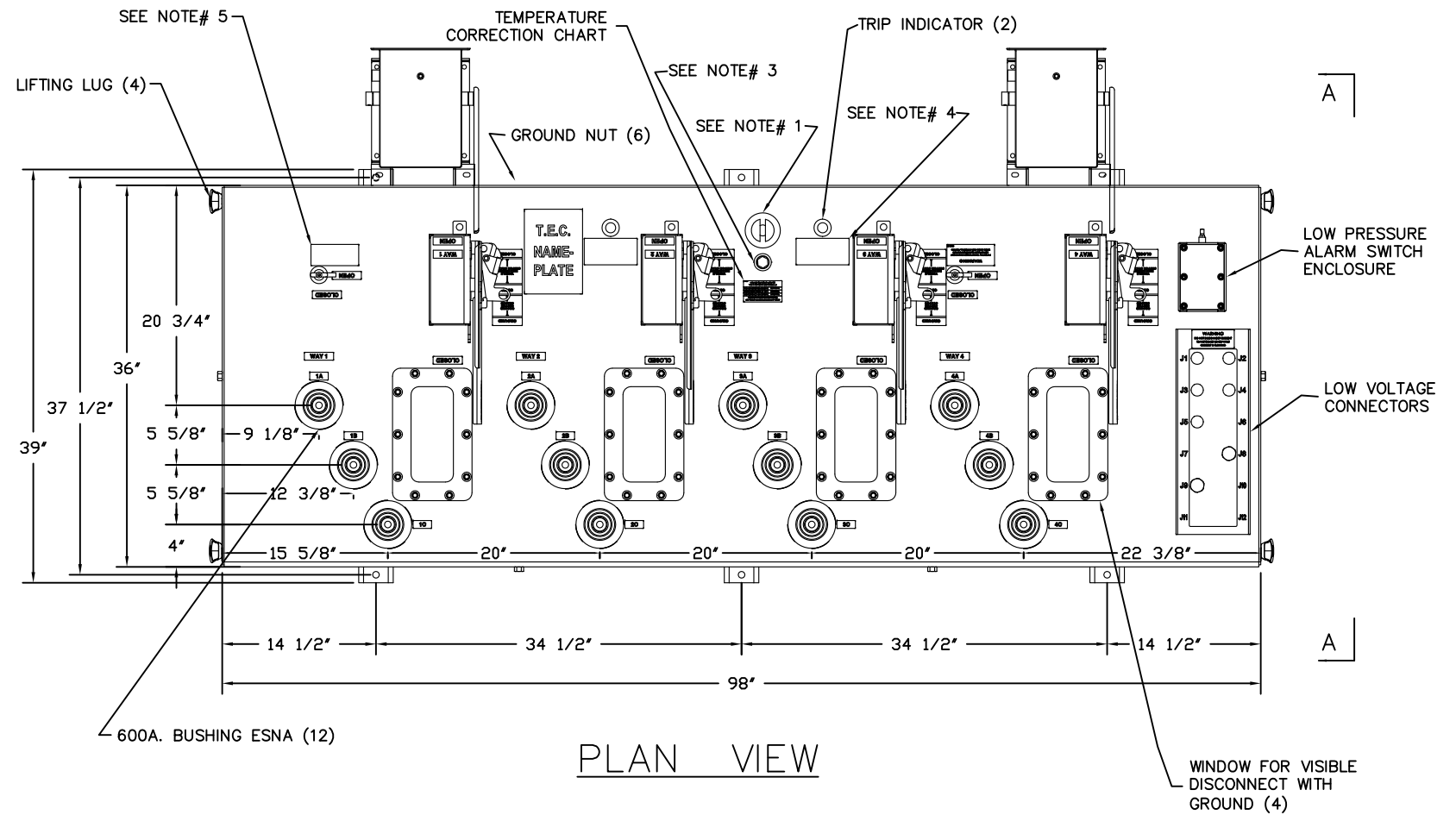
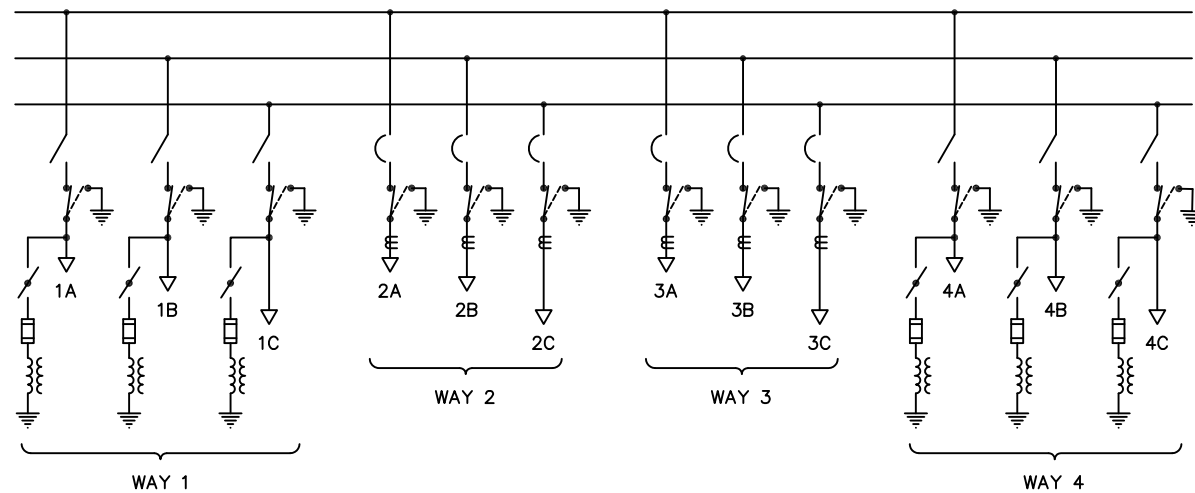


VIEW A-A



PLAN VIEW



THREE LINE DIAGRAM

NOTES:

- 1- 0 TO 15 PSIG PRESSURE GAUGE. SEE CHART FOR TEMPERATURE CORRECTION.
- 2- MATERIAL:
TANK : 7 GA. STAINLESS STEEL
- 3- THIS PORT CONTAINS A DILO VALVE WHEN UNIT IS SF6 INSULATED.
- 4- NAMEPLATE READS:
"BREAKER TRIPPED WHEN YELLOW INDICATOR PROJECTS IN TO THE SIGHT GLASS. TO RESET BREAKER, OPEN AND CLOSE OPERATING HANDLE"
- 5- NAMEPLATE READS:
"POTENTIAL TRANSFORMER DISCONNECT SWITCH MUST BE IN OPEN POSITION WHEN DOING HIGH POTENTIAL TESTING."
- 6- WEIGHT OF UNIT : 2120 LBS.

TRAYER S.O.

CATALOG LETTER INSERT	BUSHING AMPERE				FINISH
	WAY 1	WAY 2	WAY 3	WAY 4	NATURAL
A	200	200	200	200	MATL. SEE NOTE# 2
B	600	600	200	200	SCALE 1/8" = 1"
C	600	600	600	600	DR. BY F. LESPADE
D	600	200	200	200	CK. BY BJB
E	600	600	200	600	APPVD. BJB
					DATE 02-17-11

TRAYER ENGINEERING CORPORATION
898 PENNSYLVANIA AVENUE
SAN FRANCISCO, CALIFORNIA 94107
(415) 285-7770

TRAYER 15 KV SUBMERSIBLE
SELF-CONTAINED SF6 INSULATED
VACUUM SWITCHGEAR ASSEMBLY
CAT.#G3102-2CVDG4M2-211-2

TOLERANCES ± 1/8"

UNIT TYPE
SUBMERSIBLE

DRAWING NUMBER
110217
REVISION
B
09-12-11