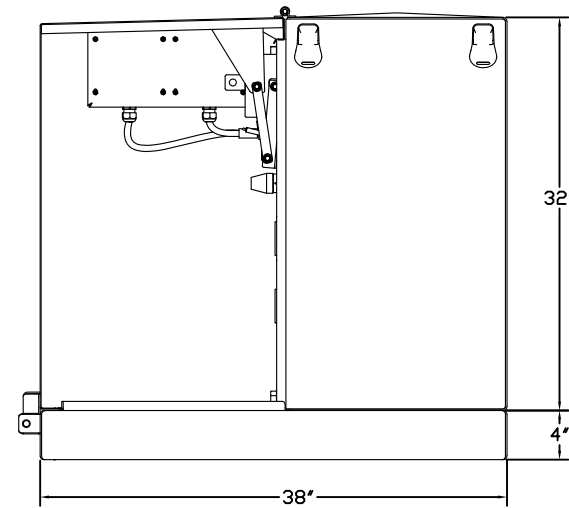
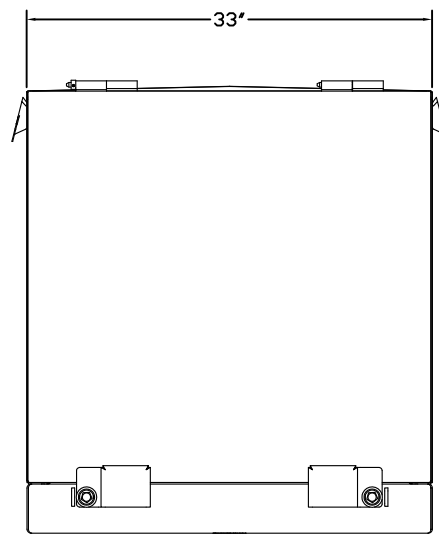
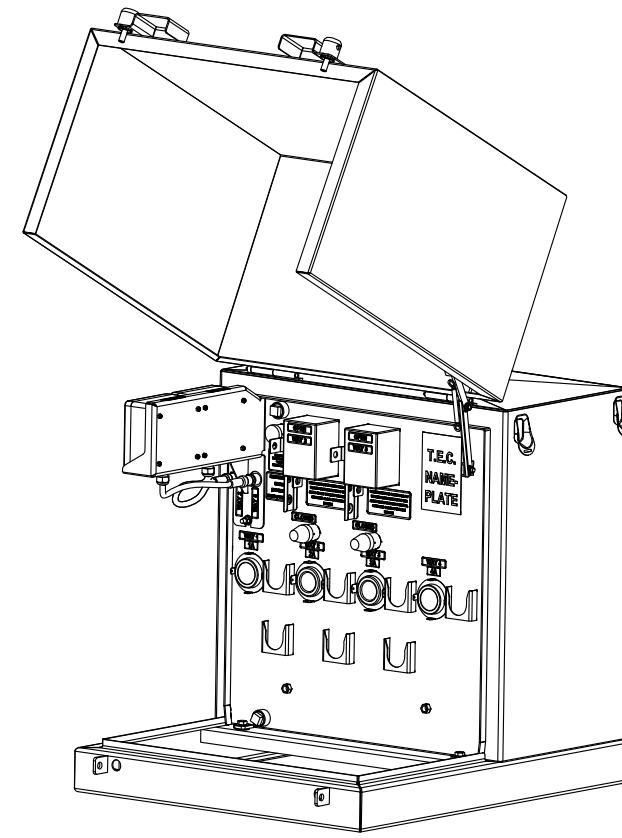


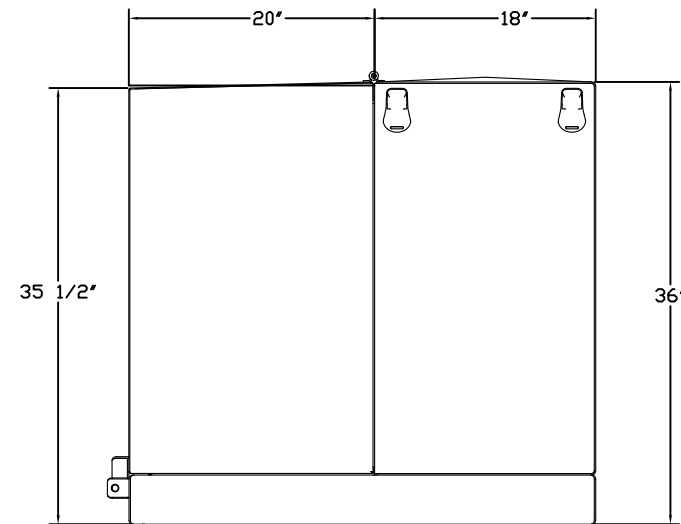
FRONT VIEW
(HOOD REMOVED)



SIDE VIEW
(HOOD SIDE REMOVED)



FRONT VIEW



SIDE VIEW

NOTES:

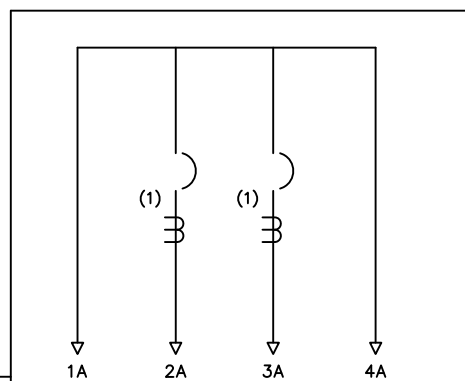
1- THE TRAYER CAT.# 901A LIQUID LEVEL GAUGE IS A COMPLETELY STATIC DEVICE THAT ACTUALLY READS "LOW OIL" IF THE OIL DROPS BELOW PROPER LEVEL IT IS AVAILABLE TO ALL SWITCH AND TRANSFORMER MANUFACTURERS IN ORDER TO PROMOTE INDUSTRY STANDARDIZATION.

3- DECAL READS:
LIQUID LEVEL INDICATOR READS "LOW OIL" WHEN OIL IS LOW.

5- MATERIAL:
OIL TANK : 11 GA. 304 S/S
BASE : 11GA. 304 S/SL
LIFT UP HOOD : 14 GA. 304 S/S

2- DECAL READS:
"BREAKER TRIPPED WHEN YELLOW INDICATOR PROJECTS IN TO THE SIGHT GLASS. TO RESET BREAKER, OPEN AND CLOSE OPERATING HANDLE"

4- DECAL READS:
FILLED WITH NON PCB MINERAL OIL [LESS THAN 1 PPM] AT TIME OF MANUFACTURE



NOMINAL KV		BIL Ø TO Ø & Ø TO GRD	BIL RATING OF CONTACT
25	CAT.# 4810A26M11	125	125
APPROX. WT.-LBS.	925		

OPTIONAL ADDITIONS WITH CATALOG NUMBER SUFFIXES	
CATALOG SUFFIX	DESCRIPTION
A	ALPHA-1 FLUID
D	DRAIN VALVE WITH SAMPLER
K	KEY INTERLOCK ON SWITCH HANDLE
N	PROVISION FOR KEY INTERLOCK ON SWITCH HANDLE
P	OIL DRAIN PLUG
W	STAINLESS STEEL TANK
X	STAINLESS STEEL BASE
Y	STAINLESS STEEL HOOD

TRAYER S.O.

FINISH DARK GREEN	TRAYER ENGINEERING CORPORATION	
MATL SEE NOTE# 5	898 PENNSYLVANIA AVENUE SAN FRANCISCO, CALIFORNIA 94107 (415) 285-7770	
SCALE DO NOT SCALE	25 KV, 200 A LIQUID INSULATED PADMOUNTED VACUUM SWITCHGEAR 1Ø VACUUM FAULT INTERRUPTER AND CONTROL	
DR. BY F. LESPADE	DRAWING NUMBER	REVISION
CK. BY BQB	110829	D
APPVD. BQB		09-19-13
DATE 08-29-11		
UNIT TYPE PADMOUNT		

TOLERANCES ± 1/8"