



Trayer Microgrid Switchgear: The Foundation for Safe, Reliable Power



Critical load facilities, such as hospitals and data centers benefit from automated distributed generation.

Customized switchgear from Trayer Engineering is at the core of an effective microgrid operation. The stronger the switch, the longer the lifetime. Without a high quality, well-engineered foundation, you run the risk of costly service interruption.

Trayer collaborates extensively with customers to engineer flexible designs, utilizing a diverse range of technologies. Translation: A higher quality path to distributed generation.

Customers praise Trayer for our ability to provide a dedicated design solution -- meeting their demands and regimented safety standards. One company to provide fully integrated distribution switchgear has streamlined a challenging process.

As Trayer switchgear is designed to improve the reliability of a grid, important functionality is delivered through custom relaying and SCADA connectivity.

Our control platforms and configurations provide the intelligent processing required for an array of applications.

With a fully engineered, automation-ready design, Trayer switchgear is built to your exacting specifications. Integration of a pre-programmed set of project specific parameters ensures that the switchgear will exactly meet your and your customers' requirements.

With Trayer's high speed auto transfer system switching in 10 cycles, your operation can transfer quickly between any sources in a rating class, built into a storm-hardened, 304 stainless steel enclosure.

Contact us today to start securing the energy supply for your critical loads.

We required a five way switch with complex, shifting customer requirements. We chose Trayer as the most flexible partner. — Trayer Customer

Trayer Microgrid Difference

- > 10 Cycle High Speed Auto Transfer Systems.
- > SCADA ready automation
- > CT Powered Submersible Relay
- > Readiness for Customization / Integration.
- > Customer Designed RTUs
- > Submersible Motor Operators

Why Trayer?

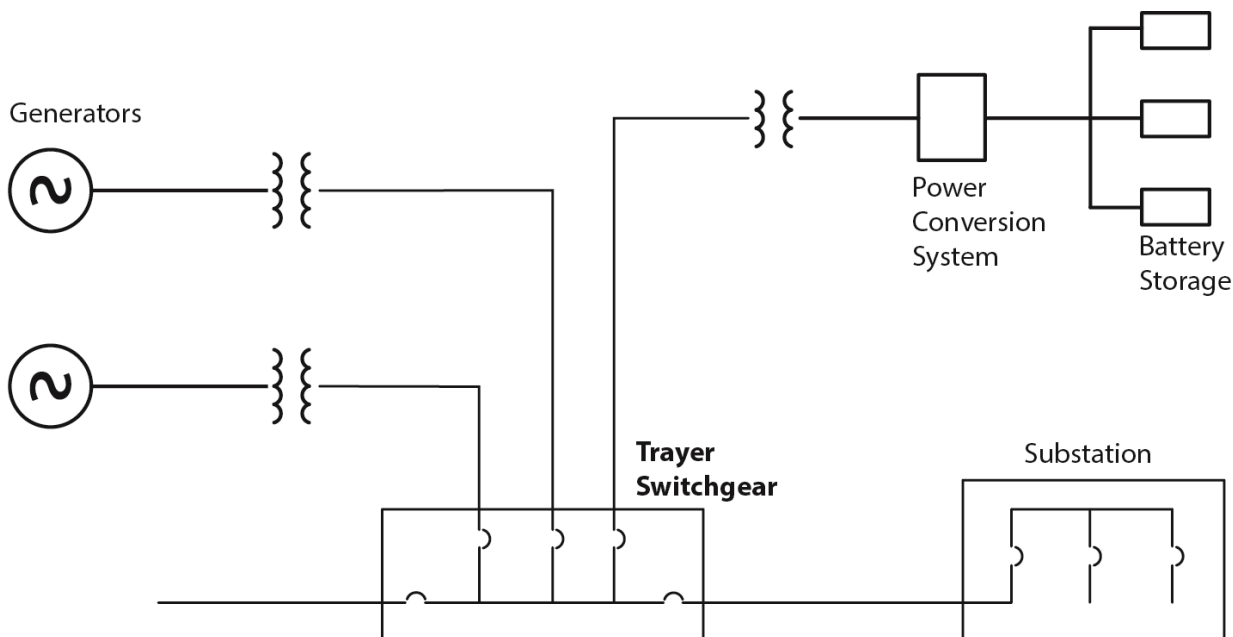
Hardened design and built to order craftsmanship makes Trayer's switchgear withstand the most hazardous conditions, improve the longevity of the grid, and meet the customization needs of the customer.

The Trayer method of manufacturing switchgear provides the most reliable foundation for well-engineered distributed generation or microgrid installations.

Safety Design Benefits

- > Stainless Steel, Fully Sealed, Welded Seam Construction
- > Visible Disconnect with Ground Position
- > Tri-Phase Interlocking Handles
- > Mechanical Vacuum Fault Interrupter Trip Indicator
- > Secure, Internal Potential Transformer

Recent Trayer Switchgear Microgrid Installation



© Copyright 2017 Trayer Engineering Corporation 898 Pennsylvania Avenue, San Francisco, CA, 94107

www.trayer.com